

BATES

environmental

ENSIGN PACKAGE SEWAGE TREATMENT PLANT

INTENSIVE BIOLOGICAL PROCESSING FOR OFF-MAINS WASTEWATER

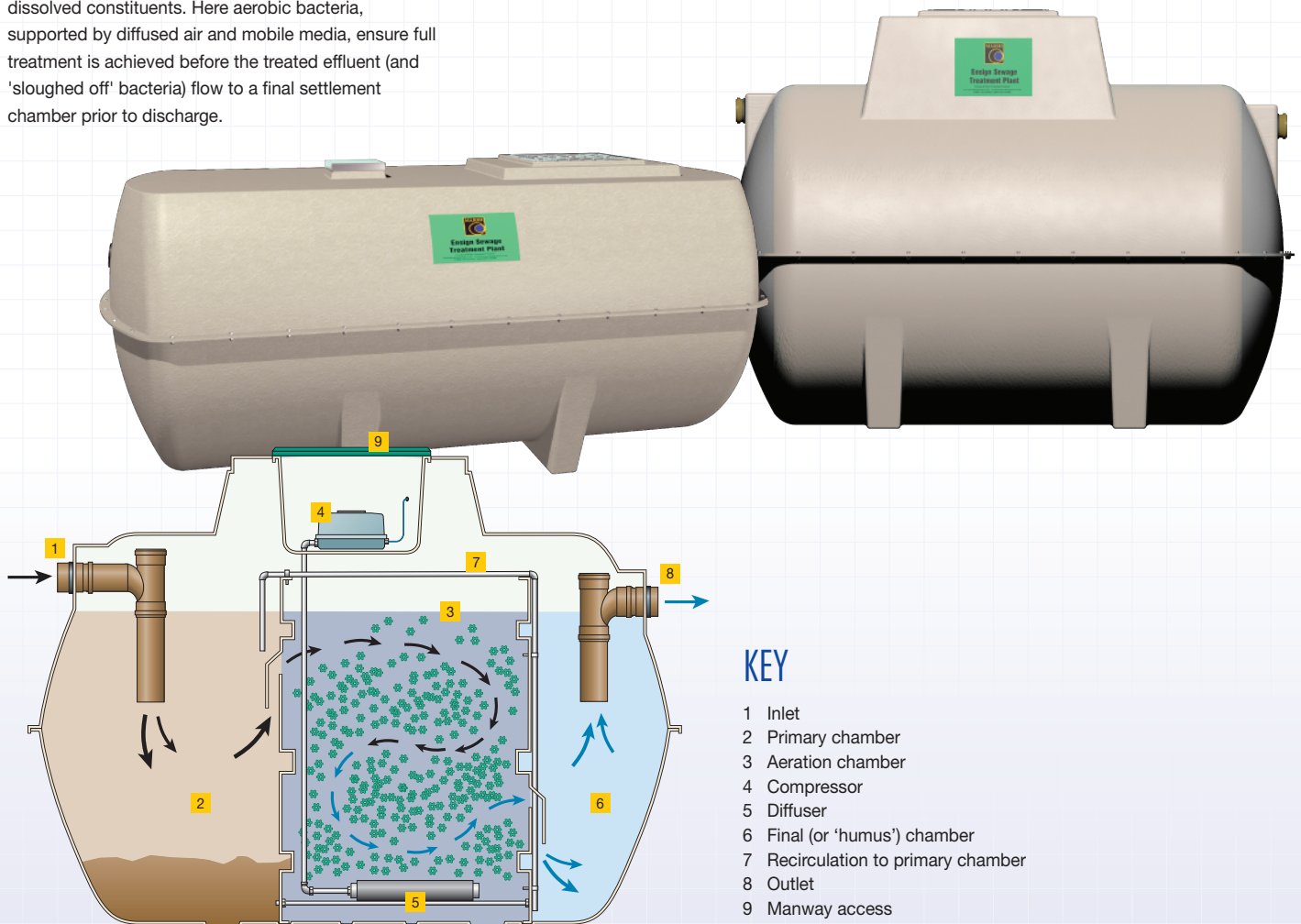
Package Sewage Treatment Plant's (or PSTP's) are often a suitable option where groundwater in the surrounding environment is vulnerable, drainage field percolation values are restrictive, or direct discharge to watercourse or surface water sewer is the preferred discharge method.

In addition to the anaerobic digestion taking place in the primary settlement tank (as septic tanks) the Ensign unit allows the clarified water to pass into a second 'aeration' chamber where it is treated to remove the dissolved constituents. Here aerobic bacteria, supported by diffused air and mobile media, ensure full treatment is achieved before the treated effluent (and 'sloughed off' bacteria) flow to a final settlement chamber prior to discharge.

- > PSTP's should be sized using the latest version of British Water Flows & Loads which provides detailed information on sewage production figures and sizing calculations
- > Regulatory authorities for the control of pollution in the UK normally require treatment plants conforming to BSEN12566:3 to be demonstrated as capable of producing a minimum effluent discharge quality of 20:30:20 (Biochemical

Oxygen Demand;Suspended Solids: Ammoniacal Nitrogen in mg/ltr), although in certain areas more stringent site-specific qualities may be required

- > No surface water should enter the system as this can reduce the system's capacity and cause solids to be flushed out which may prematurely block drainage field or cause pollution
- > As with septic tanks sludge should be removed annually or in line with manufacturers instructions



Bates Environmental

58-64 Station Street

Donington, Spalding,
Lincolnshire, PE11 4UJ

www.bates-environmental.co.uk

0800 043 37 11

BATES

environmental

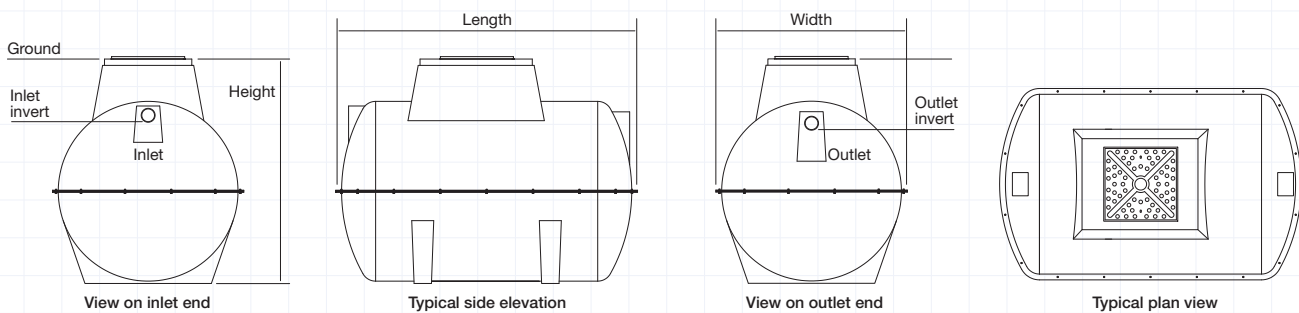
MARSH
Approved Installer


ENSIGN BENEFITS

- > Tested to BSEN12566:3 and CE-marked to ensure compliance with latest environmental and Building Regulations requirements
- > Class-leading effluent quality of **11.5:19.2:8.4 (BOD:SS:NH₄)** ensures discharges well within national consent standards
- > Three chamber system correctly sized for separation and retention of solids improves final effluent quality
- > Standard or shallow options enable suitability for all site conditions (including driveways - subject to plinth/surround to prevent superimposed loadings)
- > Shallow option ideal for groundworks involving bedrock or high water table as the low profile allows for safe, cost effective installation
- > Low energy compressors ensure minimal running, maintenance and servicing costs
- > High specification bio-media (310m³ per m²) and membrane diffusers ensure even circulation to eliminate 'dead spots'
- > Internal recirculation (from final to primary chamber) continues treatment process to provide higher effluent quality whilst balancing flow over 24 hour period or periods of intermittent use
- > Integral lifting eyes for improved on-site handling
- > Unique 'keying-in' lip to assist anchoring into granular or concrete surround
- > Optional extras include patented Polylok filter to further reduce suspended solids and extend life of drainage field; extensions for deep installations; pumped outlets for sites with adverse levels; and many more



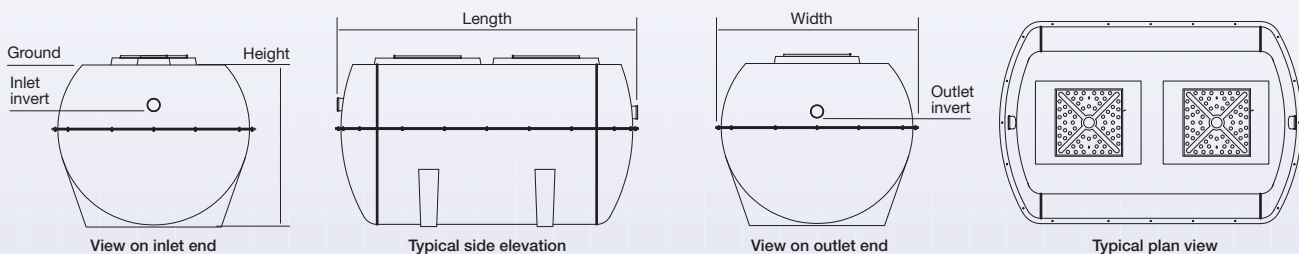
ENSIGN SPECIFICATIONS



Model	Length	Width	Height	Inlet		Outlet	
				Invert	Ø	Invert	Ø
6	2602	1650	1935	550	110	625	110
10	2602	1650	1935	550	110	625	110
12	2860	1912	2139	550	110	625	110
16	2860	1912	2284	720	110	800	110
20	3650	1912	2284	720	160	800	160
25	3650	1912	2284	770	160	850	160
30	4550	1912	2284	770	160	850	160
35	4550	1912	2284	770	160	850	160
40	5200	1912	2284	770	160	850	160
45	5200	1912	2284	770	160	850	160
50	5200	1912	2284	770	160	850	160

All dimensions in mm

ENSIGN SHALLOW SPECIFICATIONS



Model	Length	Width	Height	Inlet		Outlet	
				Invert	Ø	Invert	Ø
6	2860	1912	1600	500	110	575	110
10	2860	1912	1600	500	110	575	110
12	2860	1912	1600	500	110	575	110
16	3400	1912	1600	500	110	575	110
20	4550	1912	1600	500	160	575	160
25	4550	1912	1600	500	160	575	160
30	5500	1912	1600	500	160	575	160
35	5500	1912	1600	500	160	575	160

All dimensions in mm